

SKU#
300492

ABBLE® 4 Tier Book Case with Cabinet

- Thank you for purchasing ABBLE® product.
- You are welcomed to visit www.ablestore.com for more ABBLE® products.
- We are committed to providing customers with quality products and a good purchasing experience.
- Need any help regarding purchase or customer service, please email us by cs@ableinc.com (will be responded within 24 working hours)



www.ablestore.com

Attention for assembly

1. Read the instruction carefully and completely before assembling the product.
2. Follow the instructions step by step. Any wrong operation might damage the product, which will not be considered as quality defect of product itself. Any return caused by this reason will not be accepted.
3. Place product on soft floor (carpet, cardboard, wood) for assembly to prevent scratching or damage, never on concrete, sand or slate floor.
4. Verify all components and hardware are included according to the part list before start assembling. In case of missing of any part, stop assembling and contact us right away.
5. Electrical tools (not included) help assembly yet do not over drive the screws, bolts, nuts, etc.
6. Follow the manpower request for assembly. Shortage of manpower might cause unsuccessful assembly or personal injury.
7. Do not use the product until all the components, screws, bolts, nuts are fastened tightly.
8. Contact us when you have any problem regarding assembly or any product issues, we will response as soon as possible to help you out of problem. Don't return the goods on your purchase platform right away.

Maintenance

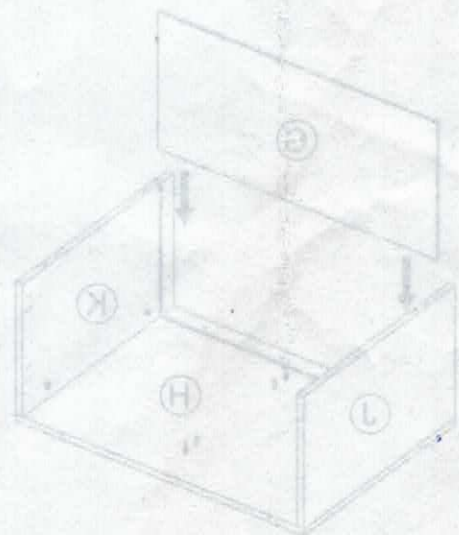
1. Clean the product with a damp cloth.
2. Indoor use only.

Limited Warranty: 1 year (12 months)

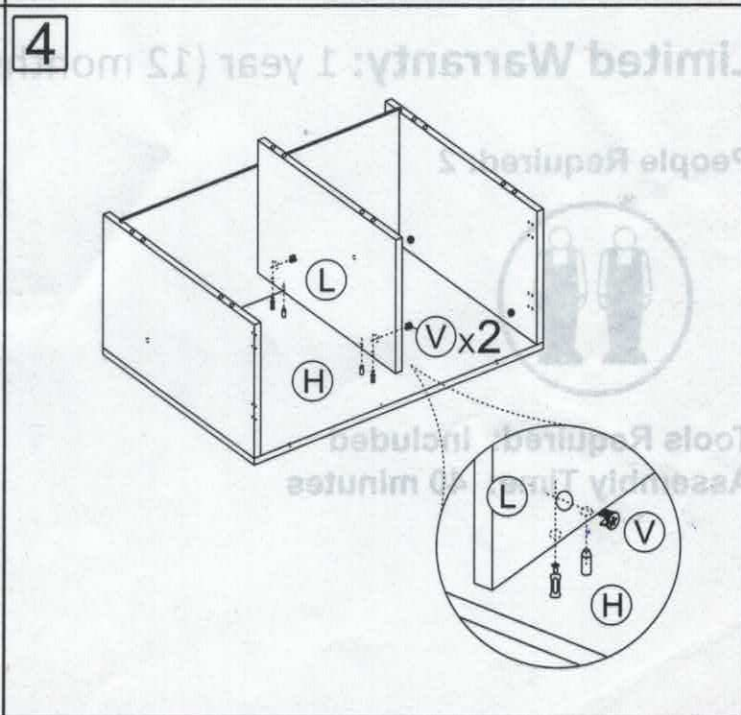
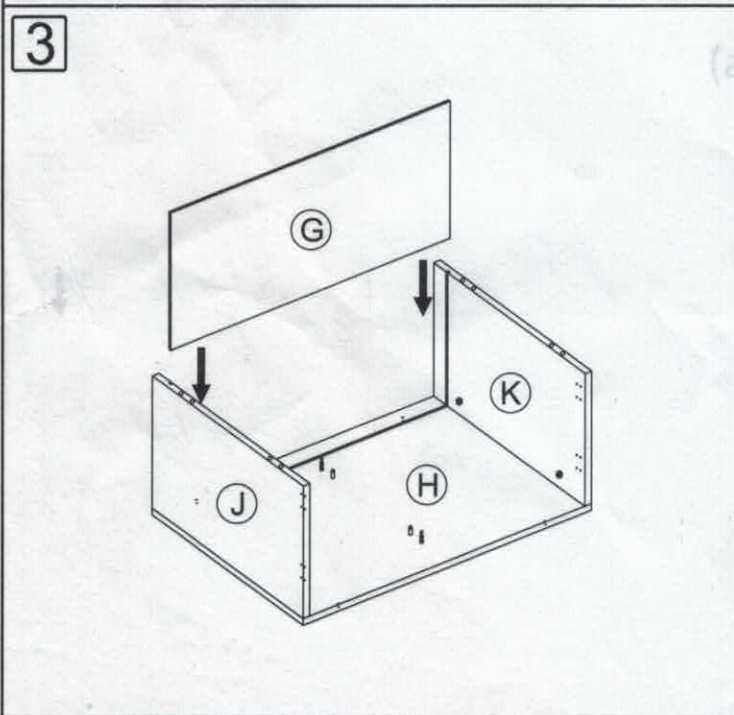
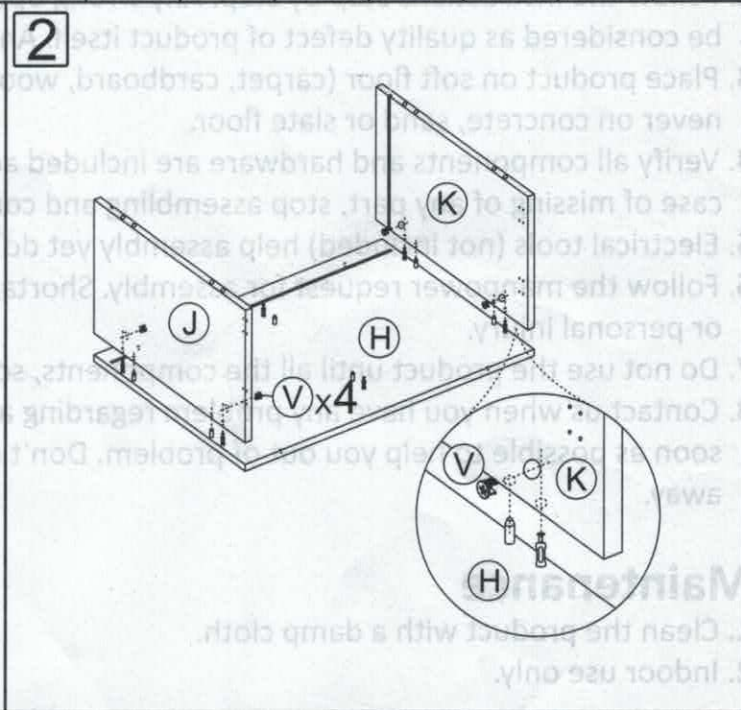
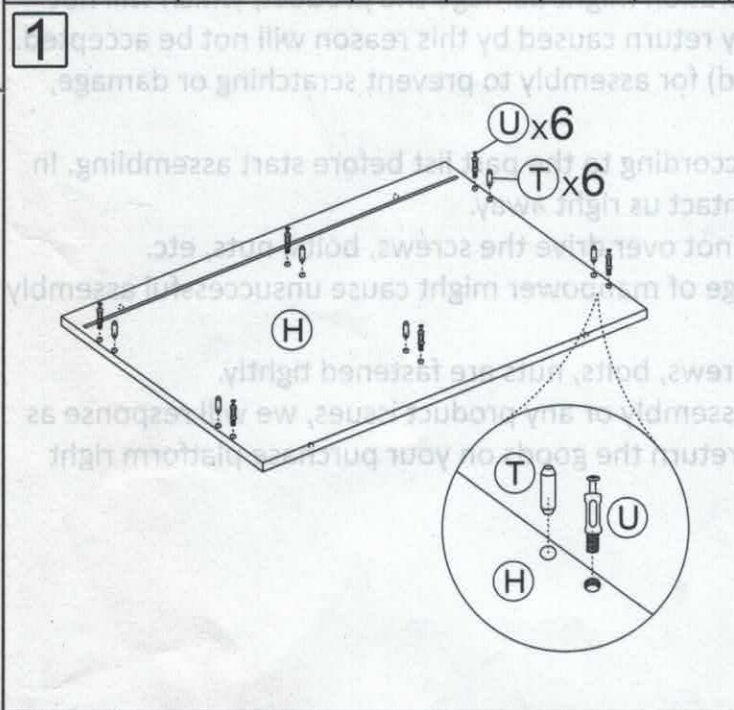
People Required: 2



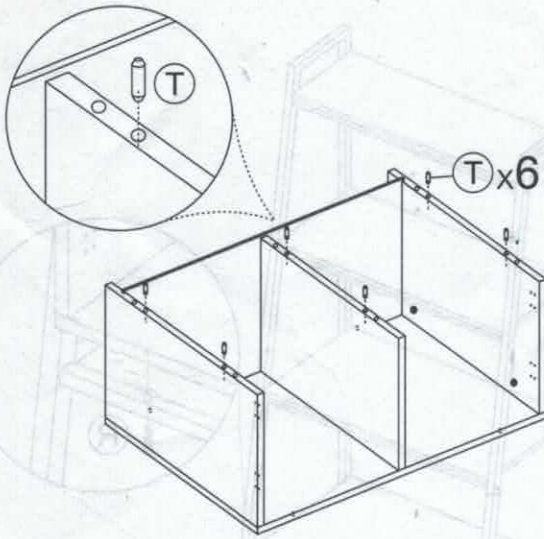
Tools Required: Included
Assembly Time: 40 minutes



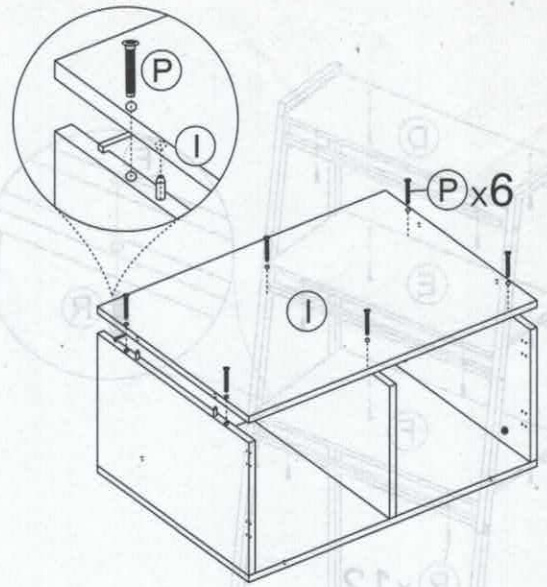
Ax2	Bx2	Cx8	Dx1		Ex1		Fx1		Gx1				
			Hx1		Ix1		Jx1		Kx1		Lx1		
Mx1	Nx1	Ox4	Px6	Qx16	Rx16	Sx24	Tx12	Ux6	Vx6	Wx2	Xx2	Yx2	Zx1



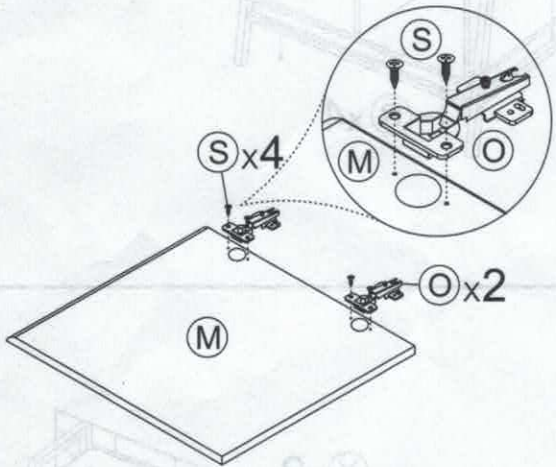
5



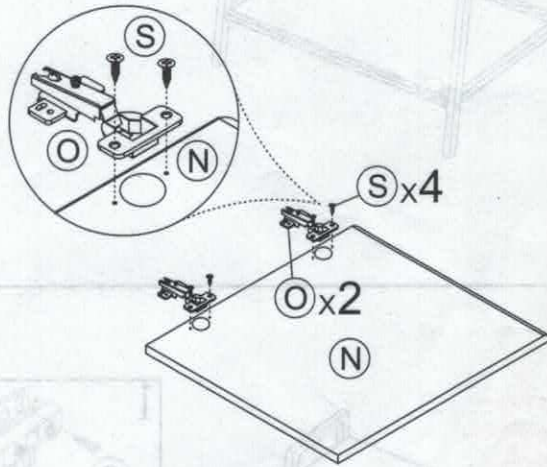
6



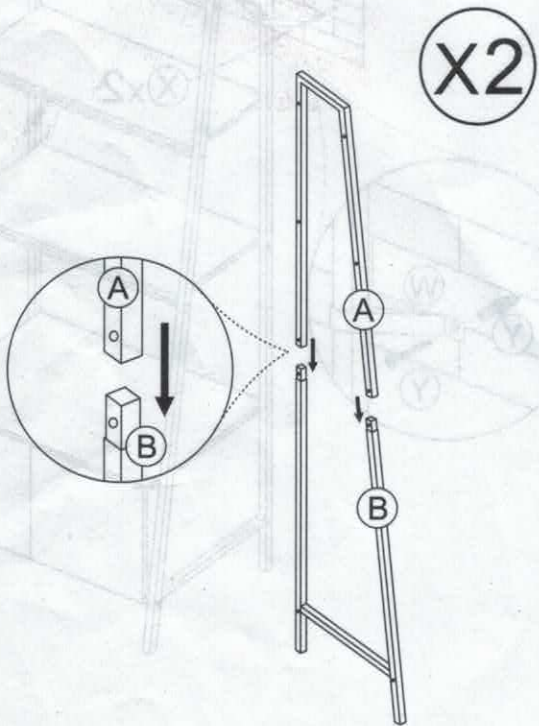
7



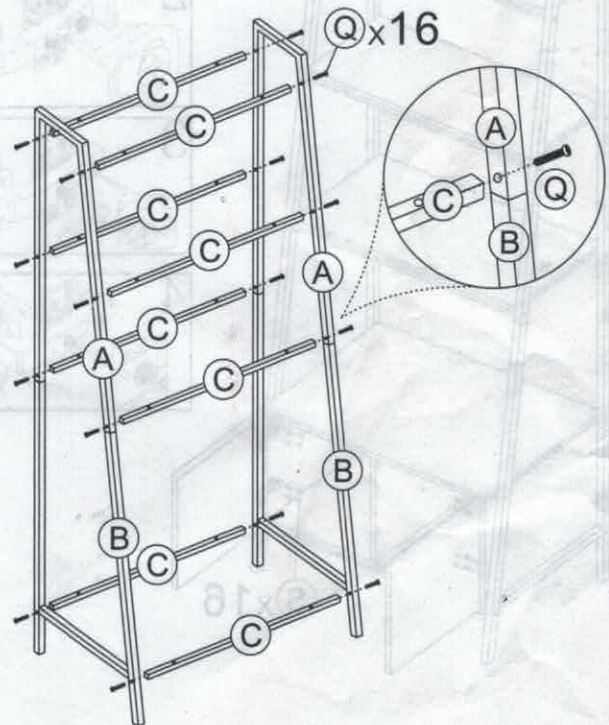
8



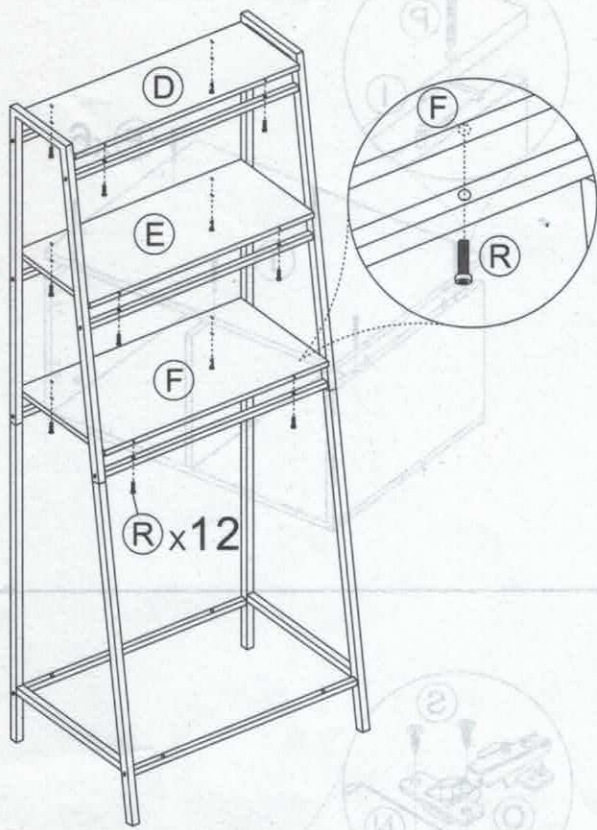
9



10



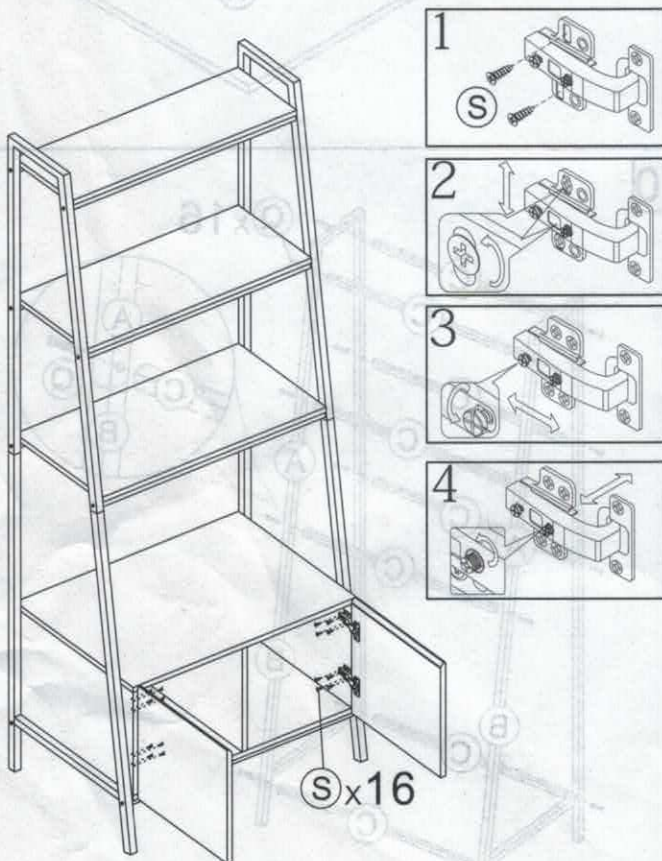
11



12



13



14

